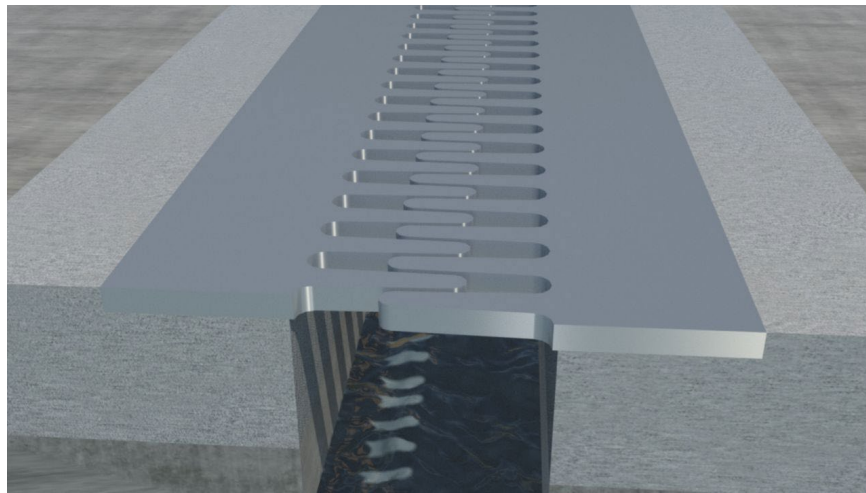


Installation Procedure

Last Updated: August 2024



Wabo® Finger Joint

For Bridge & Highway Applications

The following installation procedure is very important and must be fully understood prior to beginning any work. To ensure proper installation and performance of expansion joint system the following actions must be completed by the installing contractor. Failure to do so will affect product warranty.

- 1) Carefully read and understand installation procedure. Contact WBA's Technical Service Department at (800) 677-4922 for product assistance.
- 2) Inspect all shipments and materials for missing or damaged components and hardware. Contact Customer Service at (800) 677-4922 with WBA's order number and invoice for prompt assistance.
- 3) Inspect substrate or adjacent construction for acceptance before beginning work. Report unacceptable construction to the project manager for scheduled repair work.
- 4) Review WBA shop drawings for project specific detailed information if Engineering services were purchased at time of order.

Information provided herein, including but not limited to, any drawing, design, photograph, graphic, or statement(s) ("Materials") are proprietary and the property of Watson Bowman Acme Corp. ("Company"). Reproduction, translation, or reduction to any electronic medium or machine readable form, in whole or part, is strictly prohibited, except for the express purpose for which it has been furnished, without prior written consent of Company. All Materials contained herein are provided by Company for information purposes only. Company reserves the right to amend or withdraw any information contained in the Materials without notice. All technical or other advice by Company, whether verbal or written, concerning products, or the use of products in specific situations ("Advice") is given by Company and is used at the User's own risk.

Health & Safety

During the installation of any Watson Bowman Acme product, appropriate personal protective items should be worn at all times, including but not limited to the following:

- Proper work clothing
- Safety glasses
- Safety boots
- Gloves
- Hard hat



Local rules and regulations regarding safe work environments and health should be followed.

Installation

The work shall consist of furnishing and installing a Wabo®Standard Finger Joint system in accordance with the details shown on the plans and the requirements of the specifications. Placement of the Wabo®Standard Finger Joint system shall consist of proper surface preparations, material, and application of materials. The Wabo®Standard Finger Joint system is prefabricated.

1

Field Preparation

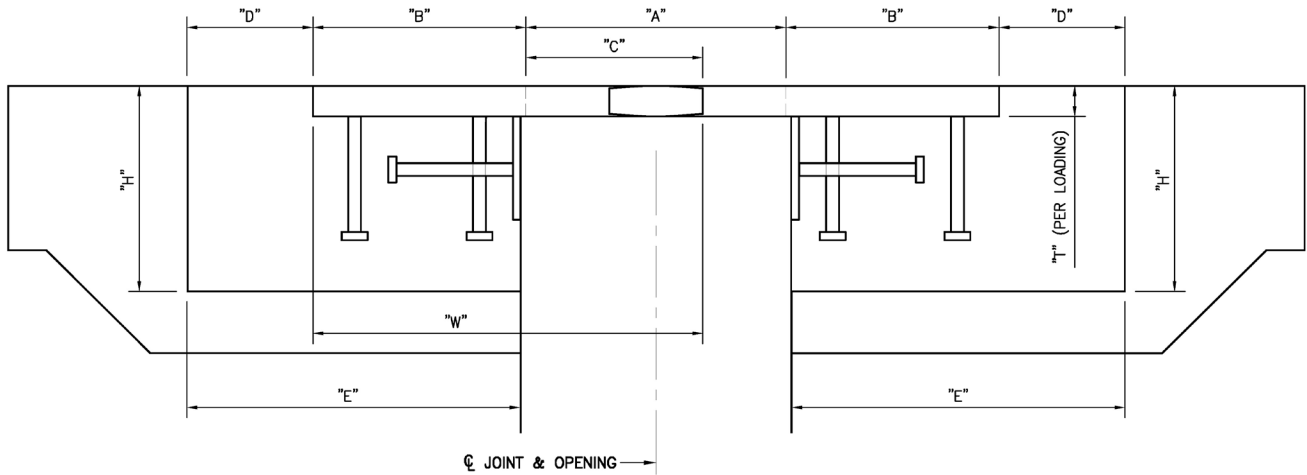
Block-outs are to be prepared to proper depths and widths as per shop drawings and consistent throughout.

Proper field handling is of utmost importance to avoid damage to the fabricated joint system while it is lifted and lowered into its final position. The joint system shall be set to line and grade, ensuring that the system's uppermost plane matches the finished roadway profile.

The structure temperature shall be measured by recording the surface temperature of the concrete and/or steel with a surface thermometer as described below.

Record the temperature of the underside of the concrete slab at each end of the superstructure element adjacent to the expansion joint. Take the average of the readings to use with the temperature chart shown on the plans. In lieu of surface readings, internal slab readings may be taken by drilling a 1/4" diameter hole 3" into the concrete slab; filling the hole with water and inserting a probe thermometer.

Before casting in the joint system to the structure, the setting dimension shall be adjusted under the direction of the Field Engineer, to correspond to the proper ambient temperature dimension as shown on the shop drawings. The adjustment is accomplished by means of shipping and leveling devices, furnished by the manufacturer, which shall accompany the expansion joint system to the job site.

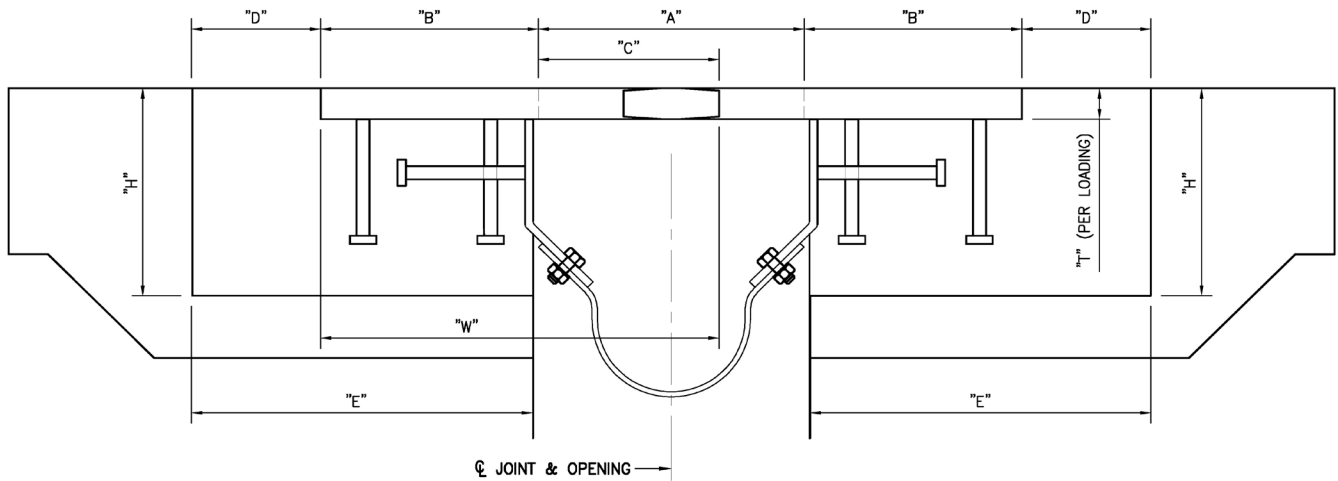


FINGER JOINT SECTION B-B
 "C" - CANTILEVER

1A

Optional Trough Installation

The optional neoprene trough is pre-installed by Manufacturer prior to setting the Finger Joint System in place.



FINGER JOINT SECTION B-B
 "C" - CANTILEVER WITH TROUGH



Watson Bowman Acme
 95 Pineview Drive
 Amherst, NY 14228
 Phone: 716-691-7566
 Fax: 716-691-9239
 watsonbowmanacme.com



SIKA CORPORATION
 201 Polito Avenue
 Lyndhurst, NJ 07071 USA
 Phone: +1-800-933-7452
 Fax: +1-2019336225
 www.usa.sika.com

2

Joint Placement

Utilize the manufacturer's Leveling Device to position joint system into the blockout.

Align face of the steel rails to reflect the structural gap opening, ensuring that the Steel Base Members are supported and are not cantilevered into the joint opening.

Properly place formwork to maintain joint opening. Prior to placement of the concrete, all Lifting and/or Shipping Devices shall be removed. Leveling Devices on top of the joint need to remain in place and the bolts loosen.

When casting the joint system into the structure, care should be taken so that proper compaction of concrete around the system is achieved.
Remove formwork as needed.

3

Field Splicing

If the system is to be installed in sections, the manufacturer will ship the joint with the appropriate ends beveled for field welding. Once the first joint section is installed and concrete has been cast, the adjacent length is field welded. Special care is to be taken following field-welded details shown on the manufacturer's shop drawings.



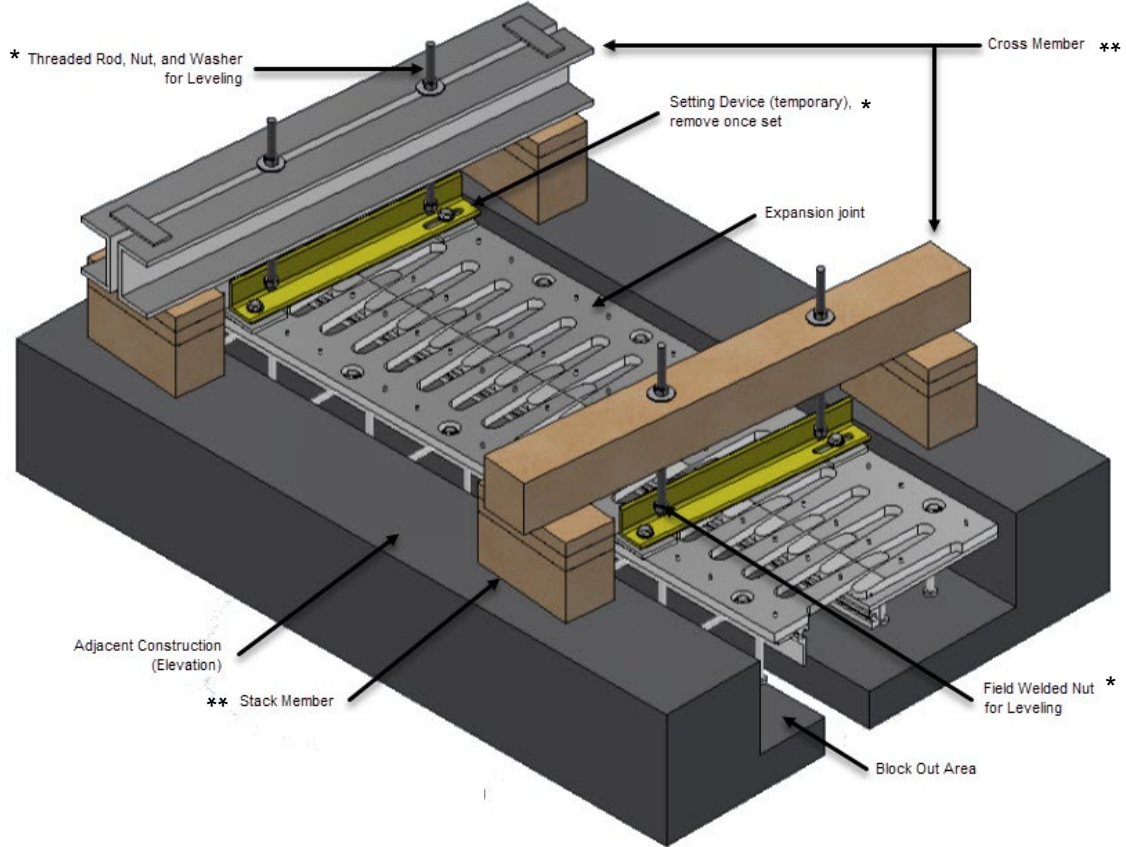
Watson Bowman Acme
95 Pineview Drive
Amherst, NY 14228
Phone: 716-691-7566
Fax: 716-691-9239
watsonbowmanacme.com



SIKA CORPORATION
201 Polito Avenue
Lyndhurst, NJ 07071 USA
Phone: +1-800-933-7452
Fax: +1-2019336225
www.usa.sika.com

Installation & Shipping Tools

Setting, Leveling and Shipping tools can be installed by WBA.
Cross and Stack members will need to be provided by customer.



* Installation & shipping tools available from WBA
** Items provided by others

Follow us on social media for industry news, new product announcements & more:



Watson Bowman Acme
95 Pineview Drive
Amherst, NY 14228
Phone: 716-691-7566
Fax: 716-691-9239
watsonbowmanacme.com



SIKA CORPORATION
201 Polito Avenue
Lyndhurst, NJ 07071 USA
Phone: +1-800-933-7452
Fax: +1-2019336225
www.usa.sika.com